

A

B

C

D

E

F

G

H

A

B

C

D

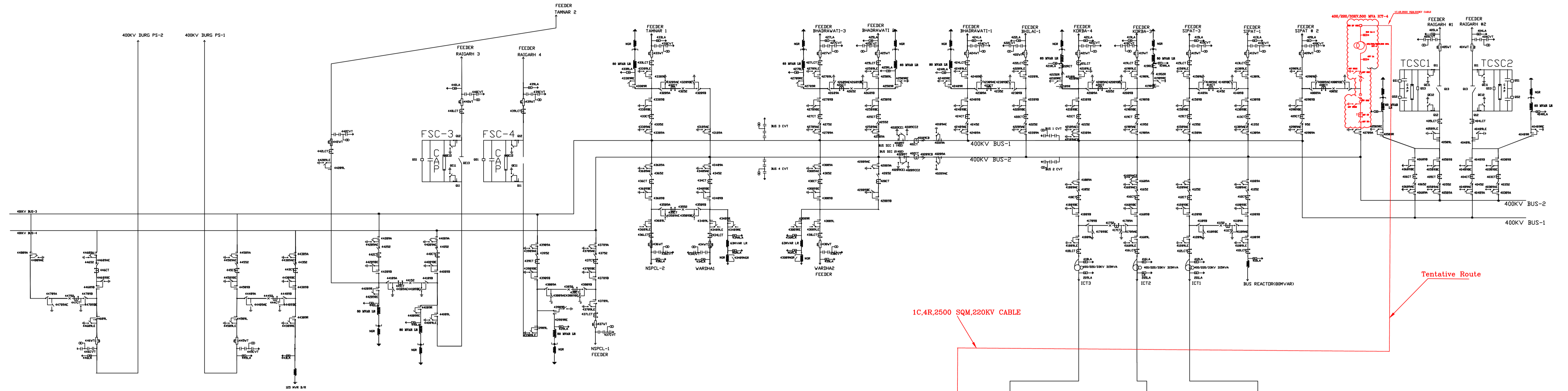
E

F

G

H

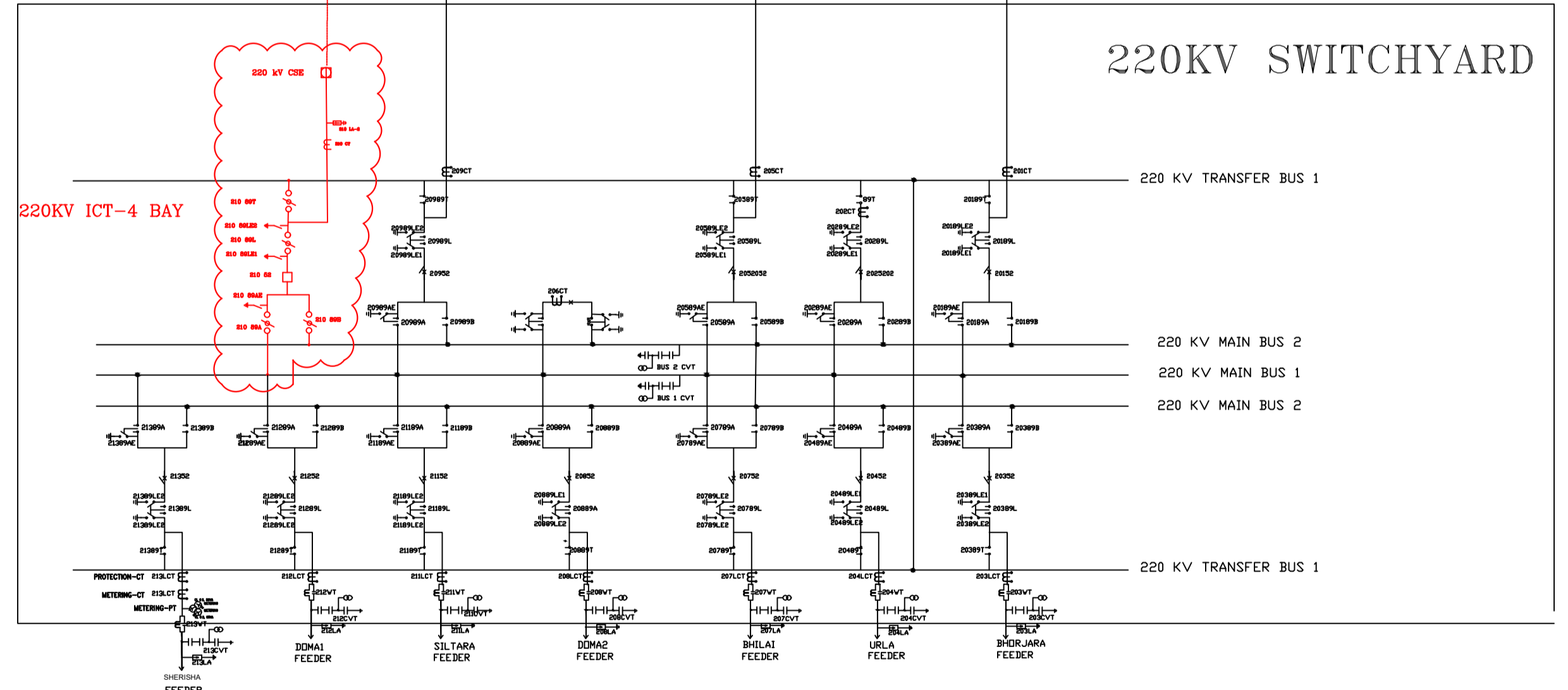
400kV SWITCHYARD



1C,4R,2500 SQM,220KV CABLE

Tentative Route

220KV SWITCHYARD



BILL OF QUANTITY - 400 kV

SL. ITEM	DESCRIPTION	QTY.	SYMBOL
1	500 MVA AUTO TRANSFORMER 3-PH., 400/220/33 KV	01	
2	CIRCUIT BREAKER WITHOUT PIR 3150 A, 63 KA, 1SEC	01	
3	ISOLATOR WITH ONE EARTH SWITCH 3150 A, 63 KA, 1 SEC	02	
4	CURRENT TRANSFORMER 3000 A, 63 KA, 120% EXTENDED RATING	03	
5	SURGE ARRESTER 336 kV	03	

BILL OF QUANTITY - 220 kV

1	CIRCUIT BREAKER 1600 A, 50 KA, 1SEC	01	
2	ISOLATOR WITHOUT EARTH SWITCH 1600 A, 50 KA, 1 SEC	02	
3	ISOLATOR WITH ONE EARTH SWITCH 1600 A, 50 KA, 1 SEC	01	
4	ISOLATOR WITH TWO EARTH SWITCH 1600 A, 50 KA, 1 SEC	01	
5	CURRENT TRANSFORMER 1600 A, 50 KA, 120% EXTENDED RATING	03	
6	SURGE ARRESTER 216kV.	06	

LEGEND:-



POWER GRID CORPORATION OF INDIA LIMITED
(A Government of India Enterprise)

PROJECT	AUGMENTATION OF TRANSFORMATION CAPACITY BY 400/220 KV, 1X500 MVA (4TH) ICT AT RAIPUR (PG) S/S IN CHHATTISGARH
SUBSTATION	400/220KV RAIPUR SUBSTATION (EXTN.)
DRG. TITLE	SINGLE LINE DIAGRAM
DRG. NO.:	C/ENGG-SS/WR-1/RAIPUR/EXTN/TR-202584/SLD
SCALE: NTS SHEET: 01 OF 01 REV - 00	